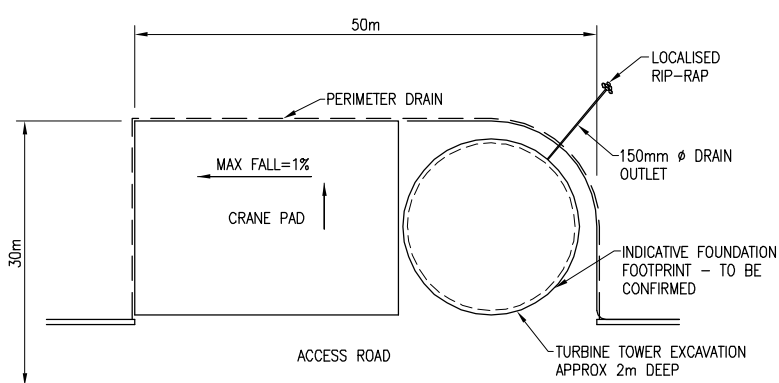
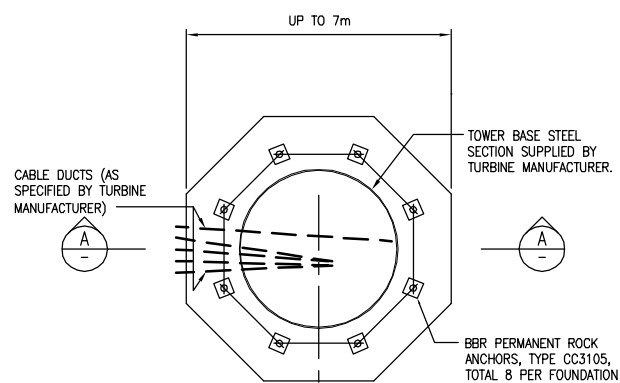


300 mm
200
100
50
10 mm
0

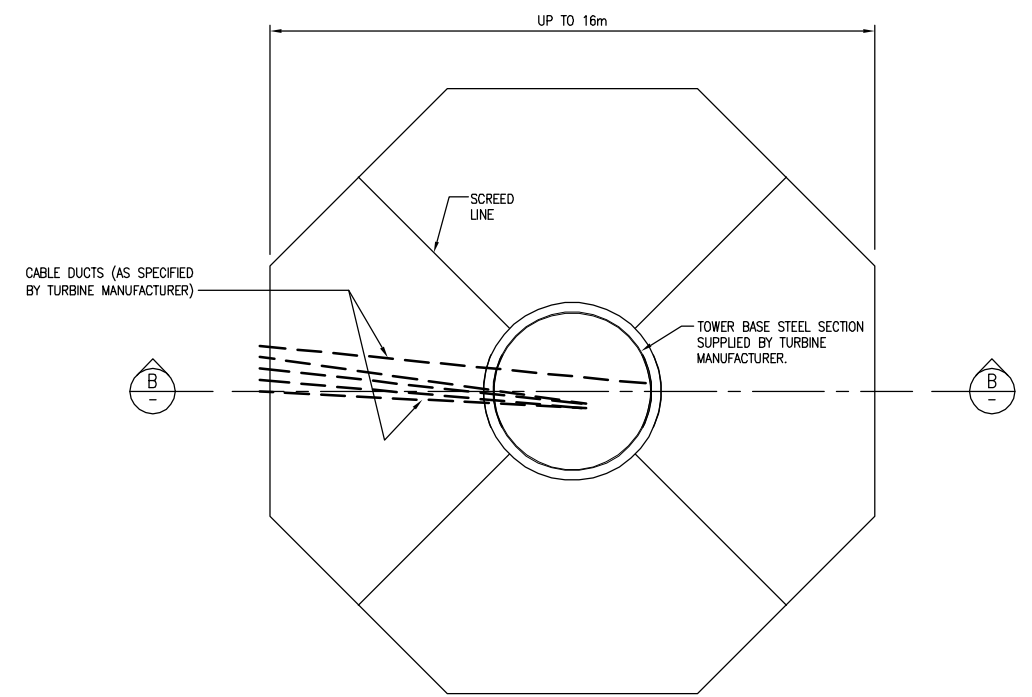


TYPICAL TURBINE SITE ARRANGEMENTS - PLAN
N.T.S.

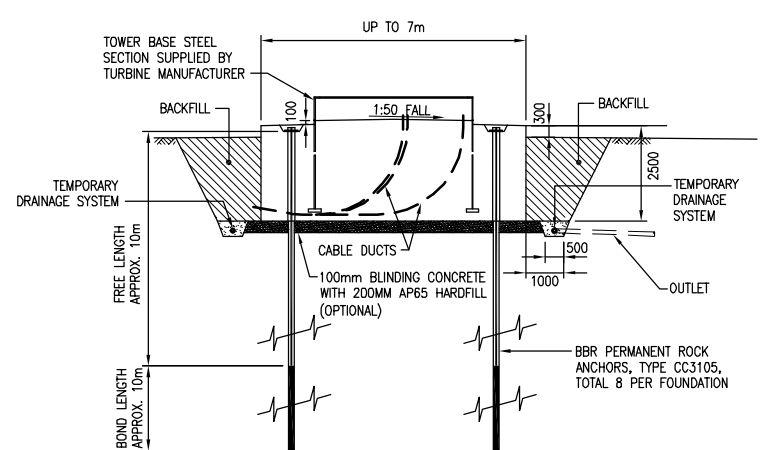
NOTE: SITE SPECIFIC ARRANGEMENTS WILL BE DEVELOPED DURING THE DETAIL DESIGN STAGE. THESE MAY INCLUDE ROTATING THE CRANE PAD THROUGH 90°, AND STRADDLING OF THE ACCESS ROAD, AND PLACEMENT OF THE HUB FURTHER FROM THE ROAD IN FLATTER AREAS.



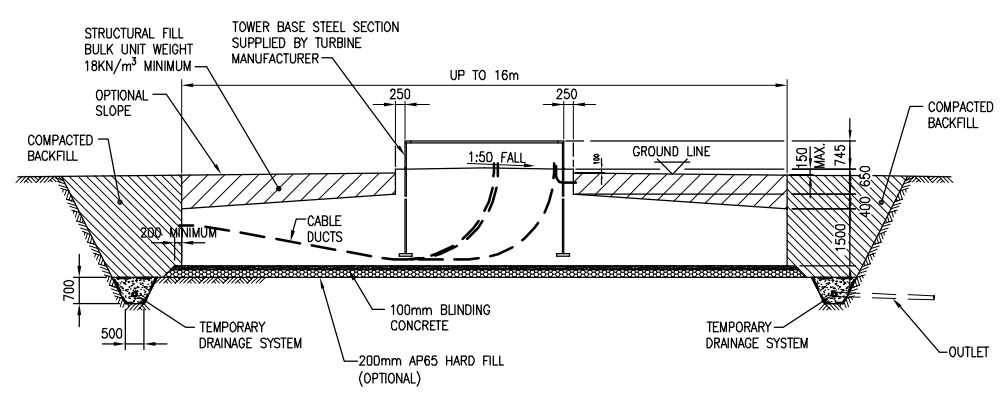
INDICATIVE ROCK ANCHOR PAD - PLAN
N.T.S.



INDICATIVE GRAVITY PAD - PLAN
N.T.S.

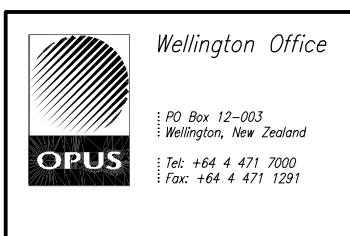


SECTION A
N.T.S.



SECTION B
N.T.S.

			BY	CHECKED	DATE
		DESIGN	S.J.G	G.A.M	29/08/07
		DRAWN	I.N.H	S.J.G	29/08/07
R3	Turbine platform amended	G.M.	06/06/08	APPROVED	G.MCKAY
R2	Pre consent alterations	G.M.	26/03/08		29/08/07
R1	Naming convention updated	G.M.	11/10/07	This drawing and its contents are the property of Opus International Consultants Limited. Any unauthorised employment or reproduction, in full or in part, is forbidden.	
	AMENDMENT	APP'D	DATE		



TITLE					
MERIDIAN ENERGY LIMITED PROJECT CENTRAL WIND					
INDICATIVE TURBINE PLATFORM DETAILS					
STATUS	CONCEPT PLAN	FILE	5c1194.00		
SCALE	PLOT DATE	FEATURE IDENTIFIER	CODE	SHEET	REVISION
AS SHOWN	11/06/08 @ 15:45	5/1958/1	6504	103	R3