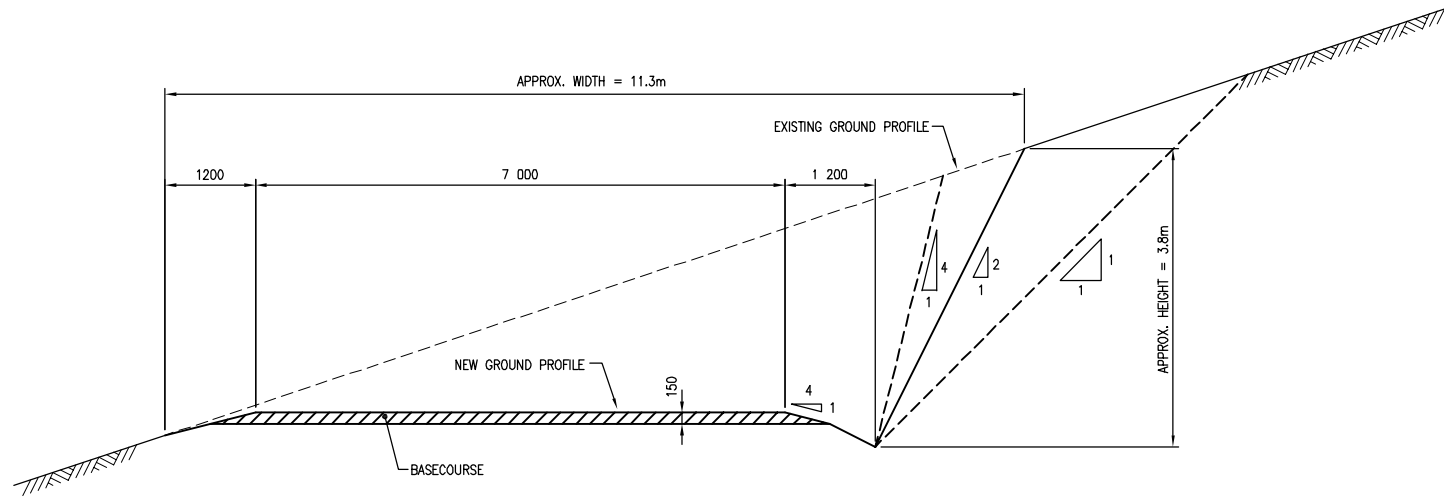
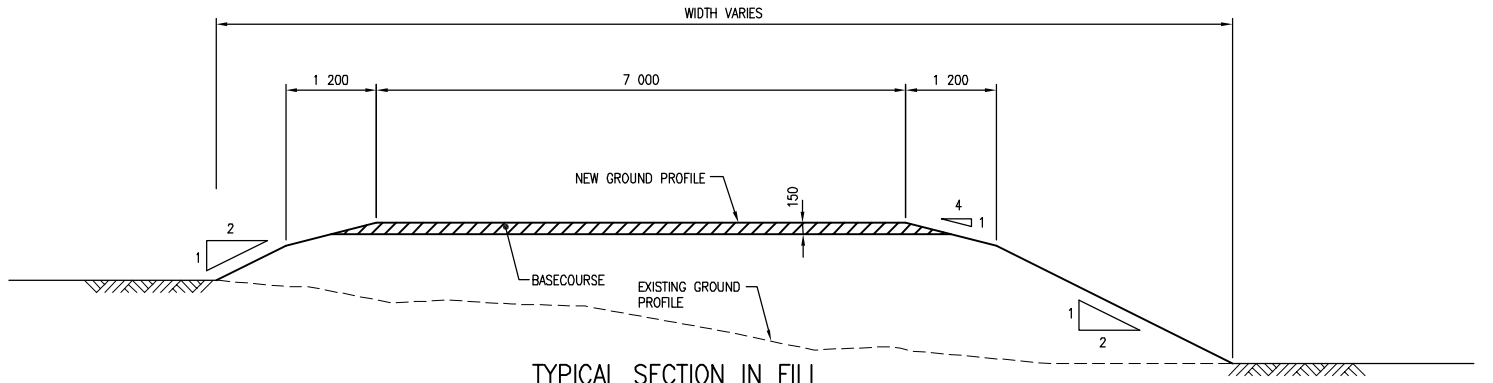


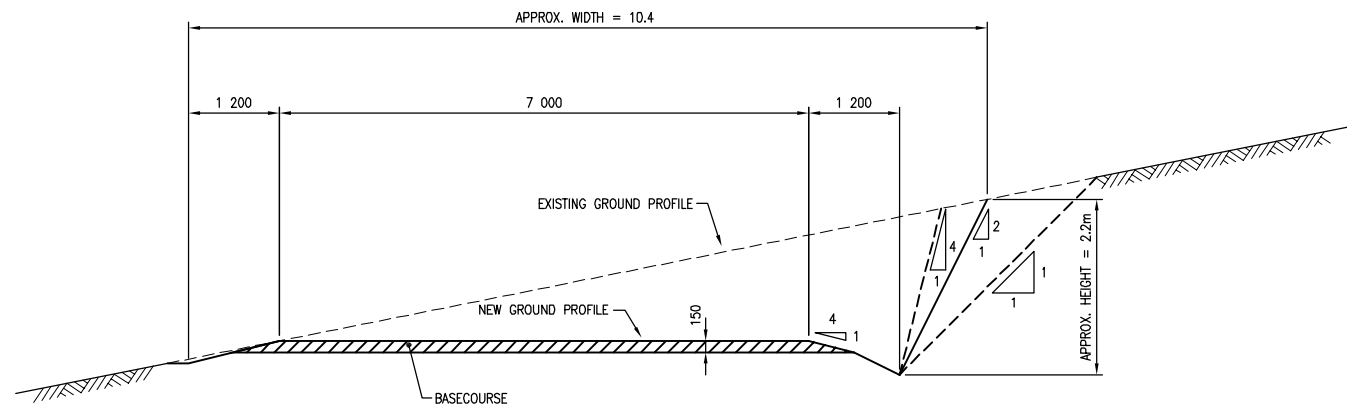
300 mm
200
100
50
0 10 mm



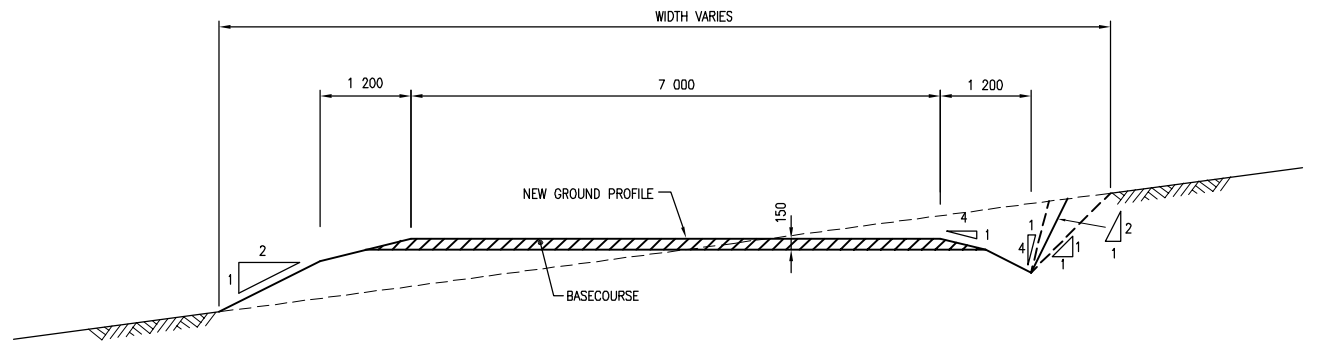
SECTION C : SIDLING CUT (1 in 3 TERRAIN CROSSFALL)
SCALE 1:50



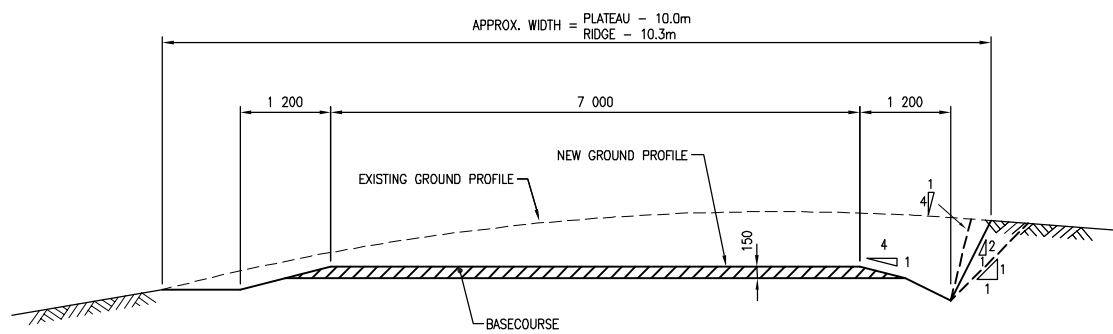
TYPICAL SECTION IN FILL
SCALE 1:50



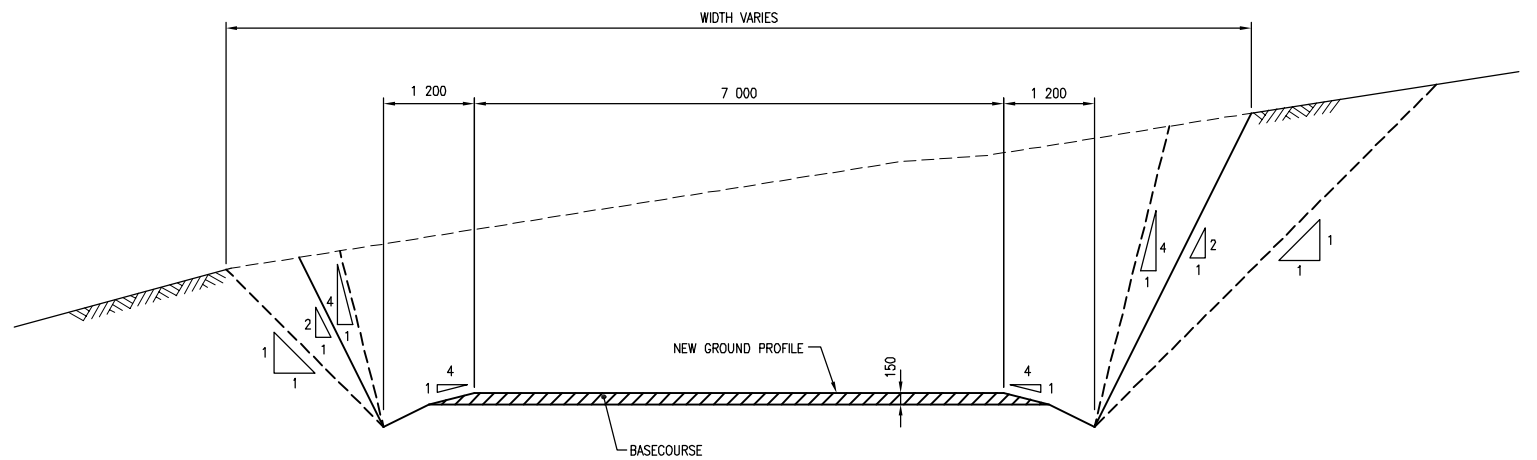
SECTION B : SIDLING CUT (1 in 5 TERRAIN CROSSFALL)
SCALE 1:50



TYPICAL SECTION IN PARTIAL CUT / FILL
SCALE 1:50



SECTION A : RIDGE/PLATEAU CUT
SCALE 1:50



BOX CUT
SCALE 1:50

| AMENDMENT | APP'D | DATE | BY | CHECKED | DATE |
|---------------------------------------|-------|----------|-----------------|---------|----------|
| R1 CONSTRUCTION EFFECTS REPORT FIGURE | | 07/03/08 | KBW | LMW | 07/07 |
| R0 FEASIBILITY STUDY REPORT FIGURE | | 10/09/07 | <i>W. Caton</i> | LMW | 07/07 |
| | | | A.J.COULMAN | | 07/03/08 |

This drawing and its contents are the property of Opus International Consultants Limited. Any unauthorised employment or reproduction, in full or in part, is forbidden.



Wellington Office

PO Box 12-003
Wellington, New Zealand

Tel: +64 4 471 7000
Fax: +64 4 471 1291

OPUS
INTERNATIONAL CONSULTANTS

| | | | | | |
|---|-------------------------|-----------|------------------|--------------------|----------|
| TITLE MERIDIAN ENERGY LIMITED MILL CREEK WIND FARM | | | | | |
| OVERALL SITE DEVELOPMENT TYPICAL SECTIONS FOR 7m ROADS | | | | | |
| STATUS | CONCEPT PLAN | FILE | 5C1236.00 | | |
| SCALE | 1:50 (A1) 1:100 (A3) | PLOT DATE | 07/03/08 @ 15:42 | FEATURE IDENTIFIER | 5/1730/1 |
| | | | CODE | SHEET | REVISION |
| | | | 5504 | 52 | R1 |

