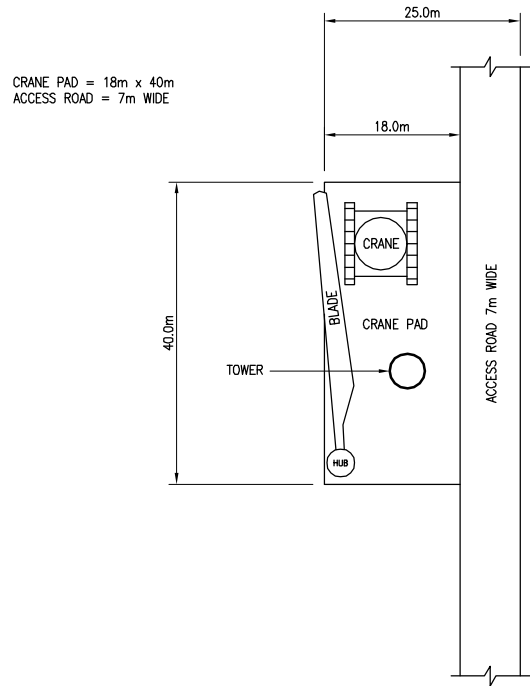
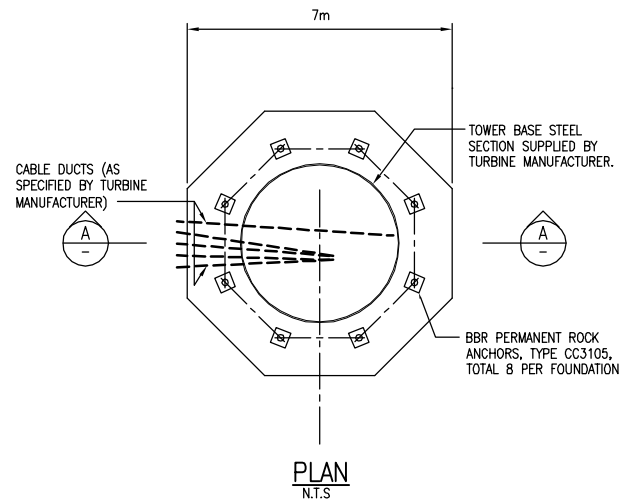


300 mm
200
100
50
10 mm
0

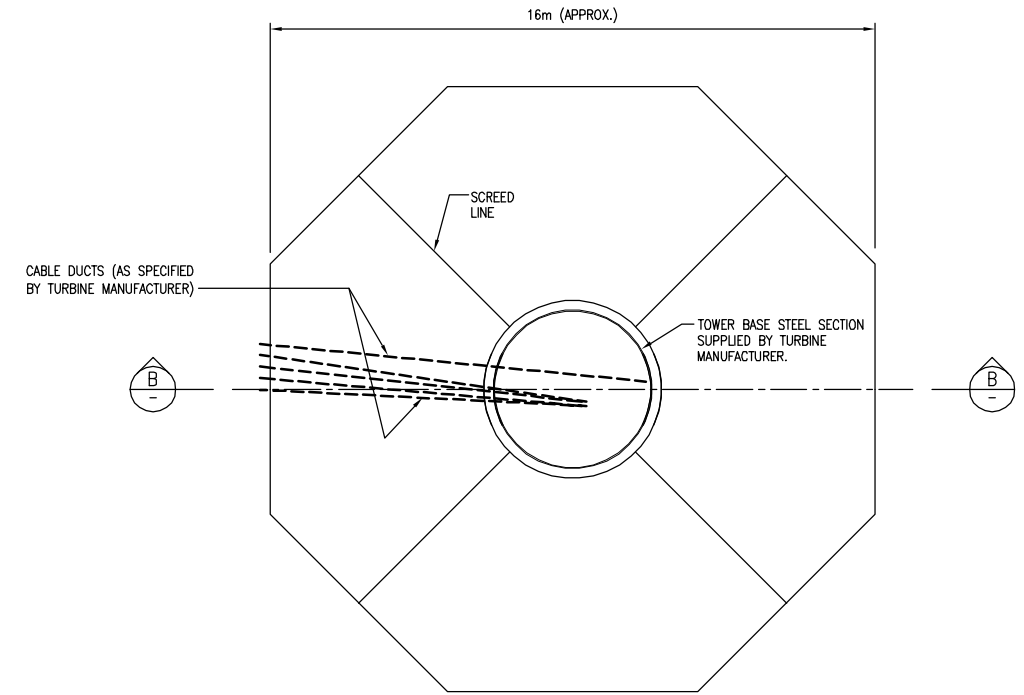


TYPICAL TURBINE SITE ARRANGEMENTS - PLAN
SCALE: NTS

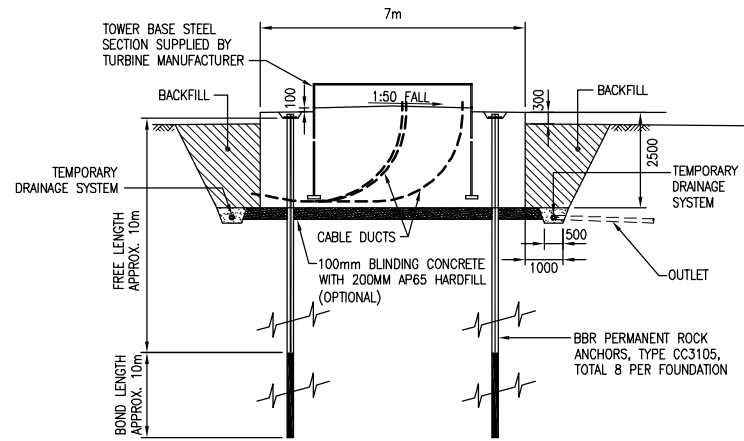
NOTE: SITE SPECIFIC ARRANGEMENTS WILL BE DEVELOPED DURING THE DETAIL DESIGN STAGE. THESE MAY INCLUDE ROTATING THE CRANE PAD THROUGH 90°, AND STRADDLING OF THE ACCESS ROAD, AND PLACEMENT OF THE HUB FURTHER FROM THE ROAD IN FLATTER AREAS.



PLAN
N.T.S.

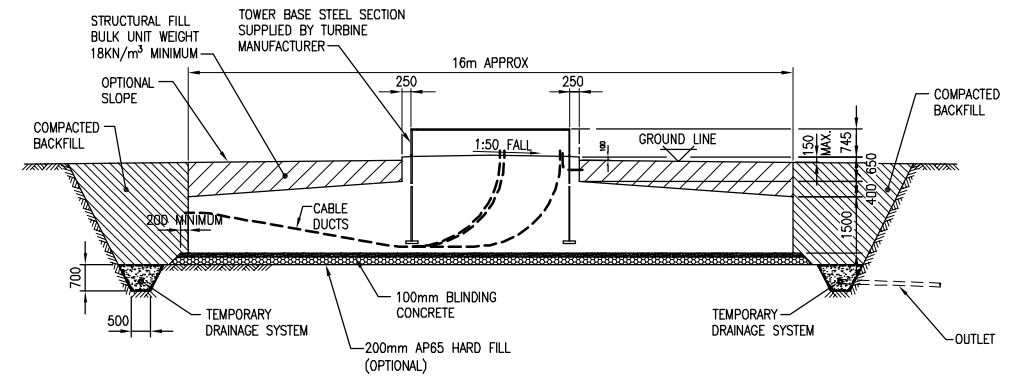


PART PLAN
N.T.S.



SECTION A
N.T.S.

INDICATIVE ROCK ANCHOR FOUNDATION



SECTION B
N.T.S.

INDICATIVE GRAVITY PAD FOUNDATION

		BY	CHECKED	DATE
DESIGN		KBW	LMW	07/07
DRAWN		<i>W. Eaton</i>	LMW	07/07
APPROVED		A.J.COULMAN		07/03/08
R1 CONSTRUCTION EFFECTS REPORT FIGURE	07/03/08			
R0 FEASIBILITY STUDY REPORT FIGURE	10/09/07	This drawing and its contents are the property of Opus International Consultants Limited. Any unauthorised employment or reproduction, in full or in part, is forbidden.		
AMENDMENT	APP'D DATE			



Wellington Office
PO Box 12-003
Wellington, New Zealand
Tel: +64 4 471 7000
Fax: +64 4 471 1291

TITLE				
MERIDIAN ENERGY LIMITED MILL CREEK WIND FARM				
OVERALL SITE DEVELOPMENT TYPICAL TURBINE PLATFORM DETAILS				
STATUS	CONCEPT PLAN	FILE	5C1236.00	
SCALE	NTS	PLOT DATE	FEATURE IDENTIFIER	CODE SHEET REVISION
		05/03/08 @ 11:57	5/1730/1	5504 71 R1

05/03/2008 11:59

GRAPHIC SCALES

g:\energy\meridian\dwgs\mill_creek\2007\consent\5_1730_1_5504_71_r1.dwg ORIGINAL SHEET SIZE A1 [840x594]